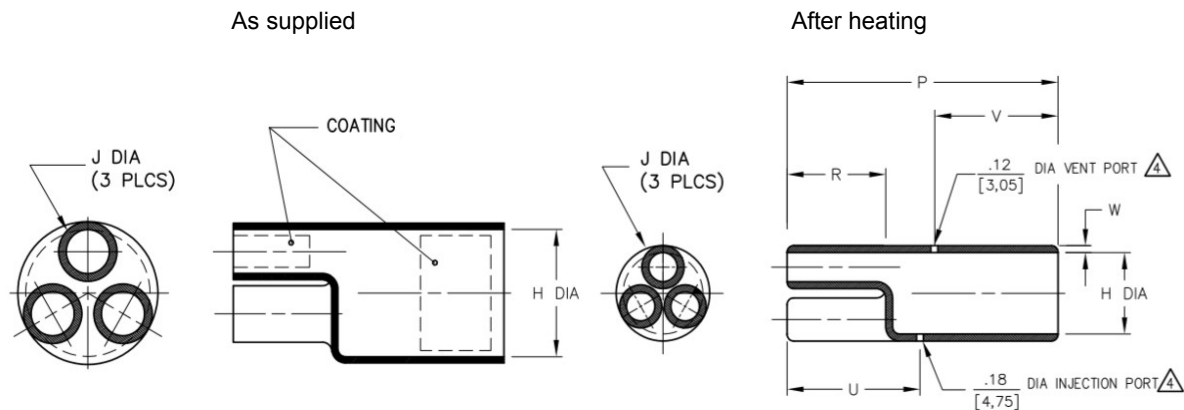


## Moulded Parts 403A123 to 403A155 (1 to 3 - Transition)

These moulded parts or heat shrink boots are used for mechanical protection and cable strain relief. This version is ideal for cable harness applications where cable branches and breakouts are required. Our moulded parts combine an easy and quick installation with high electric strength, mechanical toughness and chemical and environmental resistance. These moulded parts are with or without coating available.



### Dimensions in mm

Injection and vent port available only on request

Part Number	Inside diameter (coating reduces Ø max. 1.5mm)				P	R	U	V	W
	As supplied		After heating						
	H	J	H	J					
403A123	31.7	14.0	17.5	4.6	88.9	20.3	34.0	37.6	2.3
403A134	44.4	22.0	22.8	8.1	88.9	30.5	40.4	40.4	3.1
403A145	62.5	29.5	35.6	12.7	127.0	38.1	55.6	50.8	3.0
403A155	70.1	29.5	35.6	12.7	127.0	38.0	55.6	50.8	3.0

### Material (not all combinations available)

Ordering Code	Material	Operating temperature range
-3	Polyolefin, semi-rigid	-55°C to +135°C
-4	Polyolefin, flexible	-55°C to +135°C
-12	Fluoroelastomer, flexible	-55°C to +200°C
-25	Elastomer, fluid resistant	-75°C to +150°C
-100	Polyolefin, halogen free	-30°C to +105°C

### Coating, Adhesive

Ordering code	Material	Operating temperature range
/42	Polyamide, hot-melt	-20°C to +60°C
/86	High performance, hot-melt	-55°C to +120°C
/225	Epoxy/Polyamide	-75°C to +150°C

### Colour

Ordering Code	Colour
-0	Black